

S 20

Universal wet grinding machine



**KNECHT**

# S 20

## Universal wet grinding machine



Repair grinding on cup grinding wheel



Grinding on the wet grinding belt

Consistently high quality of sausage products and unlimited production reliability – with precisely ground cutting tools and perfect cutting geometries of the cutter knives, both are always guaranteed. The S 20 is a universal grinding machine for all conventional cutter knives as well as circular knives, hand knives and other cutting tools. The innovative knife guiding carriage enables sharpening, polishing and deburring of cutter knives in one clamp.



Locking mechanism



Function wheel

### ■ Safety thanks to very simple operation

With the innovative function wheel, the machine can be converted in seconds from sickle to linear cutter knife sharpening. When changing the knife, a locking mechanism prevents the knife from swivelling out unintentionally. The knife can be changed without any danger.

# Simple – swift – safe for best grinding results



Polishing on finned brush



Deburring on finned brush

## ■ Clamping devices

Whether for grinding, polishing or deburring – the cutter knives are clamped at all times in devices and therefore guided safely and precisely. For the operating personnel, this means a high degree of safety with minimum effort. The result is a long service life of the cutting edges.

## ■ Wet grinding belt

The wet grinding belt ensures extremely fine surfaces of the cutting tools. The profiled rubber contact wheel applies exactly the right grinding resistance to the knife.

## ■ Cup grinding wheel

It removes a lot of material very quickly. It can be used to easily repair badly damaged cutting tools. Chamfered edges, e.g. on circular knives, are applied on the cup grinding wheel. The required grinding angle is infinitely adjustable.

## ■ Finned brush

Fine trimming of the cutting edge is carried out on the finned brush. The precisely adjusted circumferential speed and the ideally coordinated brush resistance level out any handling errors. The result: a cutting edge which remains sharp for a long time.

## ■ Coolant unit

A coolant pump supplies the individual grinding stations with water. The cutting edges cannot overheat when grinding. The main basic condition for a long service life of knife edges.



Universal wet grinding machine

S 20 B



**KNECHT**

# Fine grinding technology



Circular knife



Hand knife



Grinding belt replacement



Tool cupboard

## ■ Circular knives

with diameters from 80 mm to 480 mm are sharpened and deburred on the optionally available circular knife grinding unit.

## ■ Grinding belt replacement

When the belt protection cover is opened up, the drives are switched off. The tension on the grinding belt is relieved and it can be replaced. Here, too, the maxim **simple – swift – safe** is consistently put into practice.

## ■ Tool cupboard

Tools and accessories must always be quickly accessible. The S 20 has an integrated tool cupboard for this purpose.



1 Grinding arm

2 Cup grinding wheel

3 Deburring unit

4 Finned brush

5 Wet grinding belt

6 Knife guide carriage

# S 20

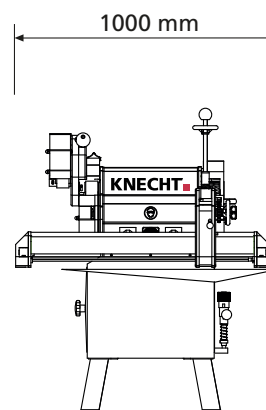
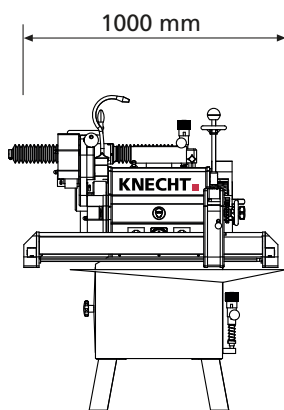
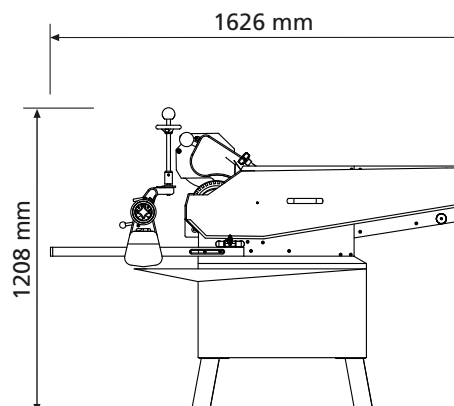
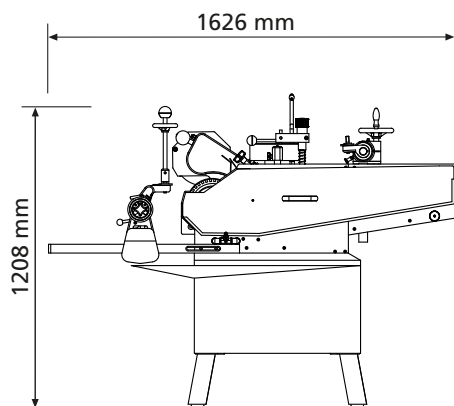
## Universal wet grinding machine

### Technical specifications

	S 20	S 20 B
■ Depth	max. 1650 mm	max. 1650 mm
■ Width	max. 1300 mm	max. 1050 mm
■ Height	max. 1400 mm	max. 1300 mm
■ Weight	180 kg	160 kg
■ Power input	1.17 kW 3x400 V 50Hz	1.17 kW 3x400 V 50Hz
■ Back-up fuse	16 A	16 A
■ Largest grinding size	approx. 430 mm or cutter knife 750 l	approx. 430 mm or cutter knife 750 l

The machine meets the **EC Safety-** and **health requirements** and is provided with the **CE symbol**.

We reserve the right to make technical modifications.



**Knecht Maschinenbau GmbH**

Witschwender Strasse 26 ■ D-88368 Bergatreute ■ Germany  
Phone +49-7527-928-0 ■ Fax +49-7527-928-32  
zentrale@knecht.eu ■ www.knecht.eu